

COR IBR600C Series

3G/4G LTE Router for M2M & IoT Applications



WHAT'S INCLUDED:



AC Power Adapter



Modem & WiFi Antennas*



Spare SIM Door Screws

*On applicable models.

THANK YOU FOR CHOOSING CRADLEPOINT

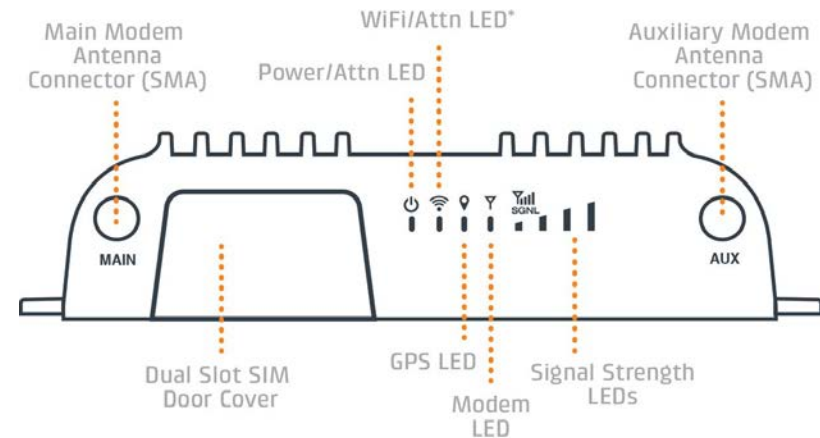
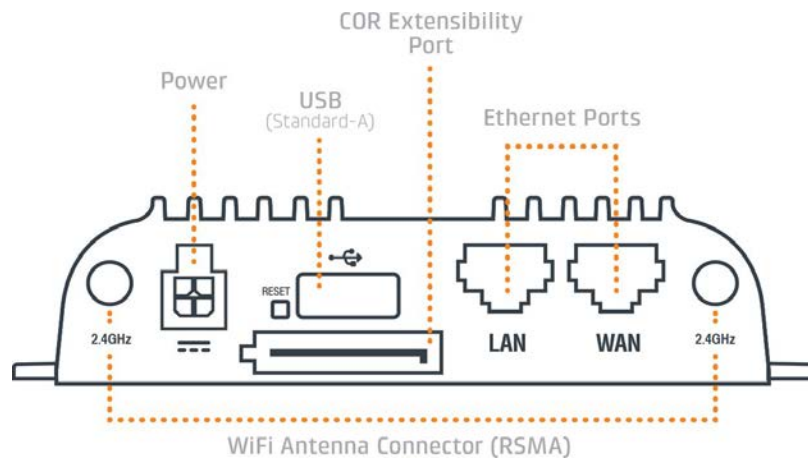
Cradlepoint is the leading provider of secure, cloud-managed 3G/4G/LTE networking solutions for the distributed enterprise with hundreds or thousands of locations. Our broad family of high-performance routers are designed for deployment in mission-critical applications that require 24x7 connectivity.

Always Connected. Always Protected.

COR IBR600C Key Features:

- + Cloud-managed
- + Dual-band, dual-concurrent WiFi
- + Ignition sensing
- + 9-33 V DC input range
- + Passive GPS support
- + Carrier-switching via software-defined radios
- + Dual-SIM
- + Semi-ruggedized metal housing
- + Integrated 3G/4G/LTE modem
- + Integrated mounting
- + COR Extensibility Dock compatible
- + Supports router SDK radios

Go to cradlepoint.com/ibr600c to learn more.



DEVICE DETAILS

Model numbers:

IBR600C-LPE (Regulatory Model S5A716A)
 IBR650C-LPE (Regulatory Model S5A721A)

Accessories:

- + AC Power Adapter
- + Modem & WiFi Antennas
- + Spare SIM Door Screws

GETTING STARTED

Setting Up the Router

- + Purchase a data plan. Insert the SIM as shown in the following step.
- + Connect WiFi and modem antennas as desired. Finger tight only.
- + Connect to power (9-33 V DC input range).

SIM Card Setup

To insert or remove SIM card:

1. Remove SIM door screws and cover.
2. Insert SIM card with metal contacts down and notch in. It will click into place. Depress again to remove.
3. Replace SIM cover (extra screws included).



Note: Device will not power on without cover in place.

Access the Administration Pages

To make configuration changes to your router, open the IBR600C's GUI-based administration pages.

1. Connect to the router via Ethernet or WiFi. For WiFi, the default SSID is found on the product label on the bottom of the router.
2. Open a browser window and type "cp/" or "192.168.0.1" in the address bar and press return/enter.
3. When prompted for the Administrator password, type the default eight character password found on the product.
4. Upon log in for the first time, you are automatically directed to the First Time Setup Wizard to configure Admin Password, Time Zone, WiFi Security, and WAN Failure Check.



Note: The power/attention LED will show yellow until the user changes the default Administrator and WiFi passwords. Default passwords must be changed to secure the router.

FIRST TIME SETUP WIZARD

When you log in to the local administration pages for the first time, you will be automatically directed to the **First Time Setup Wizard**, which will walk you through basic steps to customize your Cradlepoint IBR600C/IBR650C. You have the ability to configure any of the following:

- + Administrator Password
- + Time Zone
- + Security Mode
- + WiFi Network Name*
- + Access Point Name (APN)
- + Modem Authentication
- + Failure Check

If you are currently using the router's WiFi network, you will need to reconnect your devices to the network using the newly established wireless network name and password.

To return to the First Time Setup Wizard after your initial login, select 'System > System Control' on the left navigation bar and First Time Setup in the dropdown menu.

To restore the router to its factory default settings, press and hold the RESET button on the side of the device for ten seconds. Reset returns the login password to the default password and resets all configuration changes.



Deploy and Manage the Intelligent Network with Cradlepoint NetCloud

Cradlepoint NetCloud is a network management and application platform that integrates cloud-based, software-defined networking with your Cradlepoint devices to improve productivity, increase reliability, and reduce costs.

NetCloud includes SD-WAN capabilities and SD-Perimeter to enhance the security and scalability of your network and business operations.

To learn more and begin a free 30-day trial:

cradlepoint.com/netcloud
Sales & Support: +1 855-813-3385

ACTIVATE YOUR MODEM

A Cradlepoint router requires a SIM with an active data subscription to a wireless broadband data plan to connect to a wireless network. SIMs with wireless broadband data plans are available from wireless carriers such as AT&T, Verizon, Sprint, and T-Mobile. Carriers offer several different types of data plans and Cradlepoint works with most (Mobile broadband, M2M, and router pricing plans; private and public APNS; and static or dynamic IP address).

For more information on activation see cradlepoint.com/activation.

UPDATING NETCLOUD OS

Cradlepoint regularly creates new NetCloud OS packages. You may need to update NetCloud OS to use the IBR600C Series with new modems and to access our latest features.

Via NetCloud Manager

1. Log in at cradlepointecm.com using your NetCloud Manager credentials.
2. Navigate to the 'Groups' page.
3. Select a group and click on the NetCloud OS option in the top toolbar. In the dropdown menu that opens, select the desired version. Wait for NetCloud OS to load.

Via NetCloud OS Interface

1. Log into the administration pages. You may have changed the Administrator Password when you used the First Time Setup Wizard.
2. From the System menu, select 'System Control' and 'System Software'.
3. Find the 'NetCloud OS Upgrade' section. This displays the current version that is installed and indicates if an updated version is available.
4. Click 'Automatic (Internet)' if a new NetCloud OS version is available. The IBR600C will download and install the NetCloud OS version and automatically reboot itself. A status monitor will appear and indicate when this process is complete. This process may take several minutes depending on your Internet connection speed.

ROUTER COMMUNICATION / DATA USAGE

The factory default configuration of the router is set to communicate with Cradlepoint and other resources at regular intervals to access the latest NetCloud OS and modem updates, clock synchronization (NTP), and NetCloud Manager membership. Such communication may result in data usage and applicable charges regardless of whether the router uses a wired or wireless Internet connection. To avoid such data usage and potential charges, consult the following Knowledge Base article:

<http://knowledgebase.cradlepoint.com/articles/support/router-communication-data-usage>