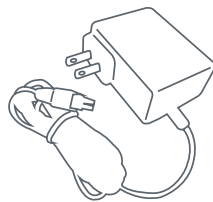


COR IBR600B Series

FOR M2M & IoT NETWORKING



WHAT'S INCLUDED:



AC Power Adapter



WiFi Antennas
(on applicable models)



Modem Antennas
(on applicable models)

THANK YOU FOR CHOOSING CRADLEPOINT

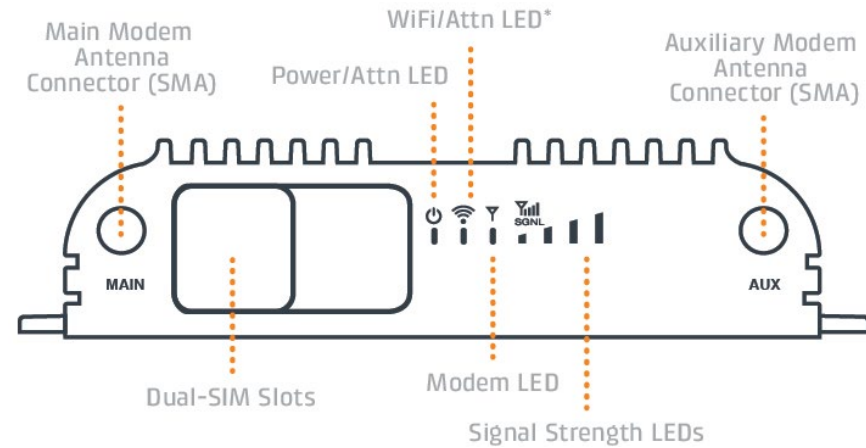
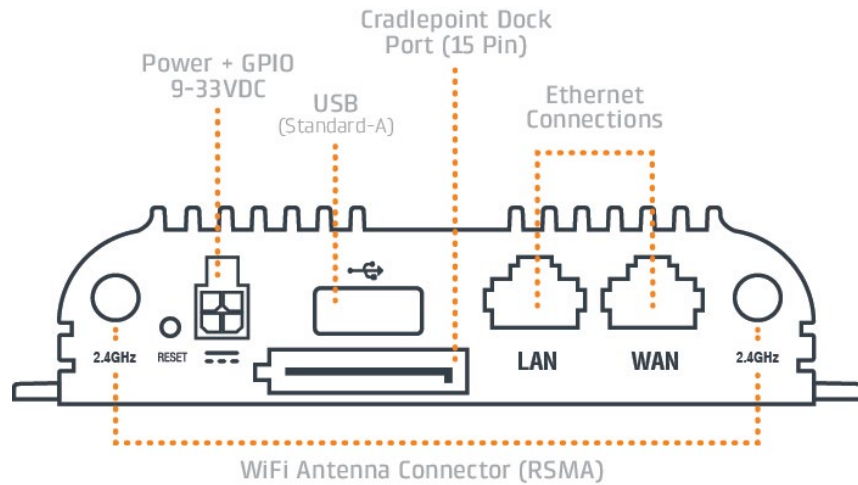
Cradlepoint is the leading provider of secure cloud-managed 3G/4G/LTE networking solutions for the Distributed Enterprise with hundreds or thousands of locations. Our broad family of high-performance routers are designed for deployment in mission-critical applications that require 24x7 connectivity.

Always Connected. Always Protected.

COR IBR600B Key Features:

- + Cloud-managed
- + Integrated LTE/HSPA+ Modem
- + SIM-Based Auto-Carrier Selection
- + Dual-SIM
- + Semi-ruggedized Metal Housing
- + Two Ethernet Ports (LAN/LAN or WAN/LAN)
- + WiFi and Non-WiFi Versions Available
- + Integrated Mounting
- + Dock Compatible

Go to cradlepoint.com/IBR600B to learn more.



*IBR650B feature only

DEVICE DETAILS

Model numbers: Accessories:

IBR600B-LP4
IBR650B-LP4

- + COR Extensibility Dock
- + MC400 Modem
- + Multiple Antenna Options

GETTING STARTED

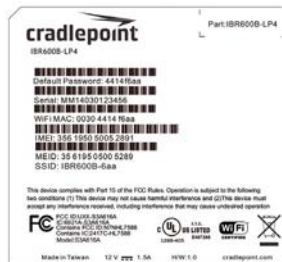
Setting Up the Router

- + Purchase a data plan. Insert the SIMs.
- + Plug the power supply into an electrical outlet.
- + Connect WiFi (2.4) and modem antennas (finger tight only).
- + Connect the power supply to the IBR600B.
- + Ensure SIM door is shut or router will not turn on.

Access the Administration Pages

To make configuration changes to your router, open the IBR600B's GUI-based administration pages.

1. Connect to the router via Ethernet or WiFi. For WiFi, the default SSID is found on the product label on the bottom of the router.
2. Open a browser window and type "cp/" or "192.168.0.1" in the address bar and press return/enter.
3. When prompted for the Administrator password, type the default eight character password found on the product.
4. Upon log in for the first time, you are automatically directed to the First Time Setup Wizard to configure Admin Password, Time Zone, WiFi Security, APN and WAN failure check.



FIRST TIME SETUP WIZARD

When you log in to the local administration pages for the first time, you will be automatically directed to the **First Time Setup Wizard**, which will walk you through basic steps to customize your Cradlepoint IBR600B/650B. You have the ability to configure any of the following:

- + Administrator Password
- + Time Zone
- + WiFi Network Name*
- + Security Mode
- + Access Point Name (APN)
- + Modem Authentication
- + Failure Check

If you are currently using the router's WiFi network, you will need to reconnect your devices to the network using the newly established wireless network name and password.

To return to the First Time Setup Wizard after your initial login, select 'System > Setup Wizards' on the left navigation bar and First Time Setup in the drop-down menu.

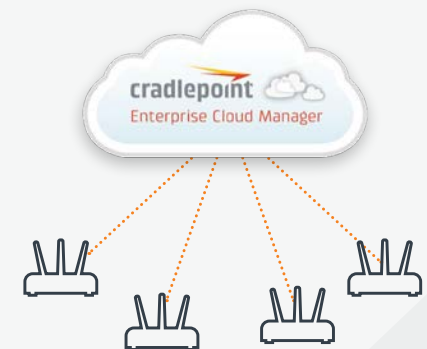
To restore the router to its factory default settings, press and hold the RESET button on the side of the device for ten seconds. Reset returns the login password to the default password and resets all configuration changes.

Deploy and Manage the Intelligent Network with Cradlepoint Enterprise Cloud Manager (ECM)

Cradlepoint's network management and application platform, Enterprise Cloud Manager, integrates cloud management with your Cradlepoint devices to improve productivity, increase reliability, reduce costs, and enhance the intelligence of your network and business operations.

To learn more and begin a free 30-day trial:

services@cradlepoint.com
cradlepoint.com/ecm



ACTIVATE YOUR MODEM

A Cradlepoint router requires a data subscription to a wireless broadband data plan to connect to a wireless network. Wireless broadband data plans are available from wireless carriers such as AT&T, Verizon and T-Mobile. Carriers offer several different types of data plans and Cradlepoint works with most (Mobile broadband, M2M, and router pricing plans; private and public APNS; and static or dynamic IP address). To add or transfer a line of service you will need to provide a unique identifier such as IMEI/MEID from the Cradlepoint modem. Data plans require a SIM that is supplied and provisioned by the wireless carrier and inserted into the Cradlepoint router or modem.

For more information on activation see cradlepoint.com/activation.

UPDATING FIRMWARE

Cradlepoint regularly creates new firmware packages. You may need to update firmware to use the IBR600B with new modems and to access our latest features.

1. Log into the administration pages. You may have changed the Administrator Password when you used the First Time Setup Wizard.
2. Select 'System > System Control' on the left navigation bar, then 'System Software' in the dropdown menu.
3. Find the 'Firmware Upgrade' section. This displays the current firmware version that is installed and indicates if updated firmware is available.
4. Click 'Automatic (Internet)' if new firmware is available. The IBR600B will download and install the firmware and automatically reboot itself. A status monitor will appear and indicate when this process is complete. This process may take several minutes depending on your Internet connection speed.

If your device does not have an active Internet connection, you need to download the latest firmware from cradlepoint.com/firmware to your desktop. Then use the 'Manual Firmware Upload' option.

ROUTER COMMUNICATION / DATA USAGE

The factory default configuration of the router is set to communicate with Cradlepoint and other resources at regular intervals to access the latest firmware and modem updates, clock synchronization (NTP), and Enterprise Cloud Manager (ECM) membership. Such communication may result in data usage and applicable charges regardless of whether the router uses a wired or wireless Internet connection. To avoid such data usage and potential charges, consult the following Knowledge Base article:

knowledgebase.cradlepoint.com/articles/Support/Router-Communication-Data-Usage