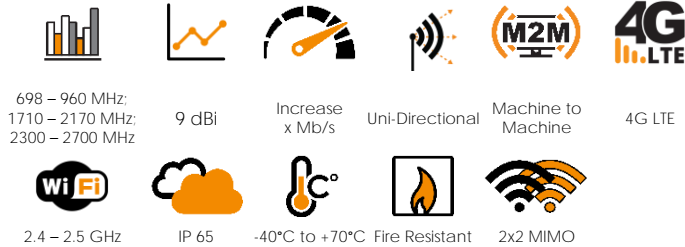


ANTENNAS | XPOL-2 SERIES

X-POLARISED, HIGH GAIN, DIRECTIONAL LTE ANTENNA

LTE 2X2 MIMO; 698 - 2700 MHz, 9 dBi



- Futureproof directional wideband LTE and Wi-Fi antenna
- Backwards compatible with 3G and 2G technologies
- Two antennas in one enclosure for optimal LTE performance
- **Improves mobile network subscriber's user experience**
- Increased connectivity stability
- Weather- and vandal resistant enclosure (IP 65)



APPLICATION AREAS

Product Overview

The XPOL-2 provides an innovative solution for 4G/3G and 2G networks, including Wi-Fi. The XPOL-2 is a dual-polarised full LTE band antenna and is wall- or pole-mountable. The antenna is equipped to provide client-side MIMO and diversity support for the networks of today and tomorrow by incorporating two separately fed ultra-wideband elements in a single housing. This is a cost-effective solution for enhancing signal reception and throughput. The XPOL-2 antenna increases signal reliability, ensures higher data throughput for users and provides a stable, high quality connection. This improves subscriber's user experience and secures client retention. It is ideal for any application using the GSM network (LTE/ HSPA/3G/EDGE/GPRS).

Features

- Wideband frequency ranges from 698 – 2700 MHz
- Also covers Wi-Fi for 2400 – 2500 MHz
- High gain directional antenna
- Two cross-polarised antennas in one enclosure; offering MIMO capability
- Wall or pole mountable
- Lightweight

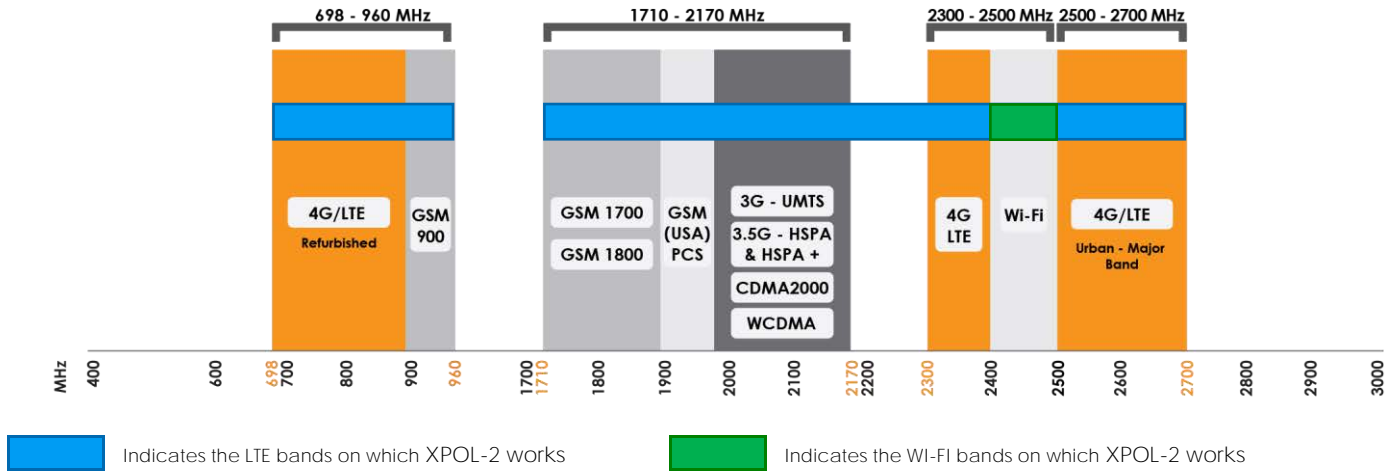
Application Areas

- Urban and rural areas
- Poor data signal reception (Indoor or outdoor)
- Slow data transmission connectivity
- Unstable connection
- Increase system transmission reliability
- LTE fringe areas (close to an LTE area, but just out of reach)
- Network operator flexibility – as the antennas are wideband, a new antenna is not needed per network operator – works on most networks



Frequency Bands

The XPOL-2 is a directional antenna that works from 698 – 960 MHz | 1710 – 2170 MHz | 2300 – 2700 MHz



Antenna Overview

Ports	2
SISO / MIMO	2x2 MIMO
Frequency Bands	698 – 2700 MHz
Polarisation	0° and 90°
Peak Gain	9 dBi
Coax Cable Type	Twin HDF 195
Coax Cable Length	5m
Connector Type	SMA (M)

**The coax cable & connector are factory mounted to the antenna*

Electrical Specifications

Frequency bands:	698 – 960 MHz 1710 – 2170 MHz 2300 – 2700 MHz
Gain (max):	8 dBi @ 698-960 MHz 6.5 dBi @ 1710-2170 MHz 9 dBi @ 2300-2700 MHz
VSWR:	≤ 2:1 over 90% of the band
Feed power handling:	10 W
Input impedance:	50 Ohm (nominal)
Polarisation:	0° and 90°
Coax cable loss:	0.385 dB/m @ 900 MHz 0.565 dB/m @ 1800 MHz 0.666 dB/m @ 2400 MHz
DC short:	Yes

Product Box Contents

Antenna:	A-XPOL-0002-V2
Mounting bracket:	1x Z-shaped mounting bracket suitable for wall or pole mount

Ordering Information

Commercial name:	XPOL-2
Order product code:	PY-P-PS200-09W-16
EAN number:	6009693810051

Mechanical Specifications

Product dimensions:	290 mm x 265 mm x 155 mm
Packaged dimensions:	375 mm x 270 mm x 100 mm
Weight:	1.55 kg
Packaged weight:	1.98 kg
Radome material:	ABS (Halogen Free)
Radome colour:	Pantone – Cool Gray (1C) RAL 7047
Mounting Type:	Wall and pole mount

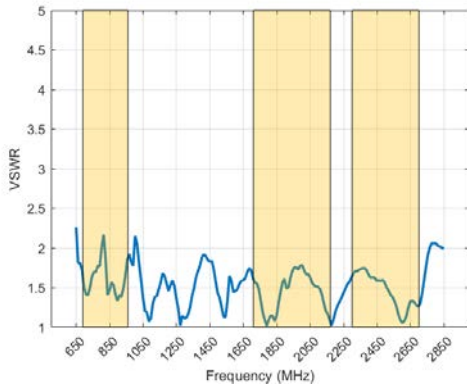
Environmental Specifications, Certification & Approvals

Wind Survival:	<120 km/h
Temperature Range (Operating):	-40°C to +70°C
Environmental Conditions:	Outdoor/Indoor
Water ingress protection ratio/standard:	IP 65 (NEMA 4X)
Salt Spray:	MIL-STD 810F/ASTM B117
Operating Relative Humidity:	Up to 98%
Storage Humidity:	5% to 95% - non-condensing
Storage Temperature:	-40°C to +70°C
Enclosure Flammability Rating:	UL 94-HB
Impact resistance:	IK 08
Product Safety & Environmental:	Complies with CE and RoHS standards

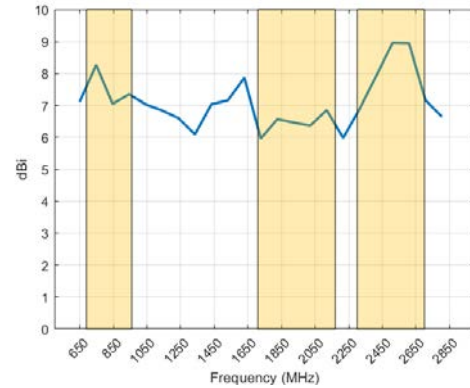


Antenna Performance Plots

VSWR



GAIN (EXCLUDING CABLE LOSS)



Voltage Standing Wave Ratio (VSWR)

VSWR is a measure of how efficiently radio-frequency power is transmitted from a power source, through a transmission line, into a load. In an ideal system, 100% of the energy is transmitted which corresponds to a VSWR of 1:1.

The XPOL-2 delivers superior performance across all bands with a VSWR of <2:1 or better across 90% of the bands.

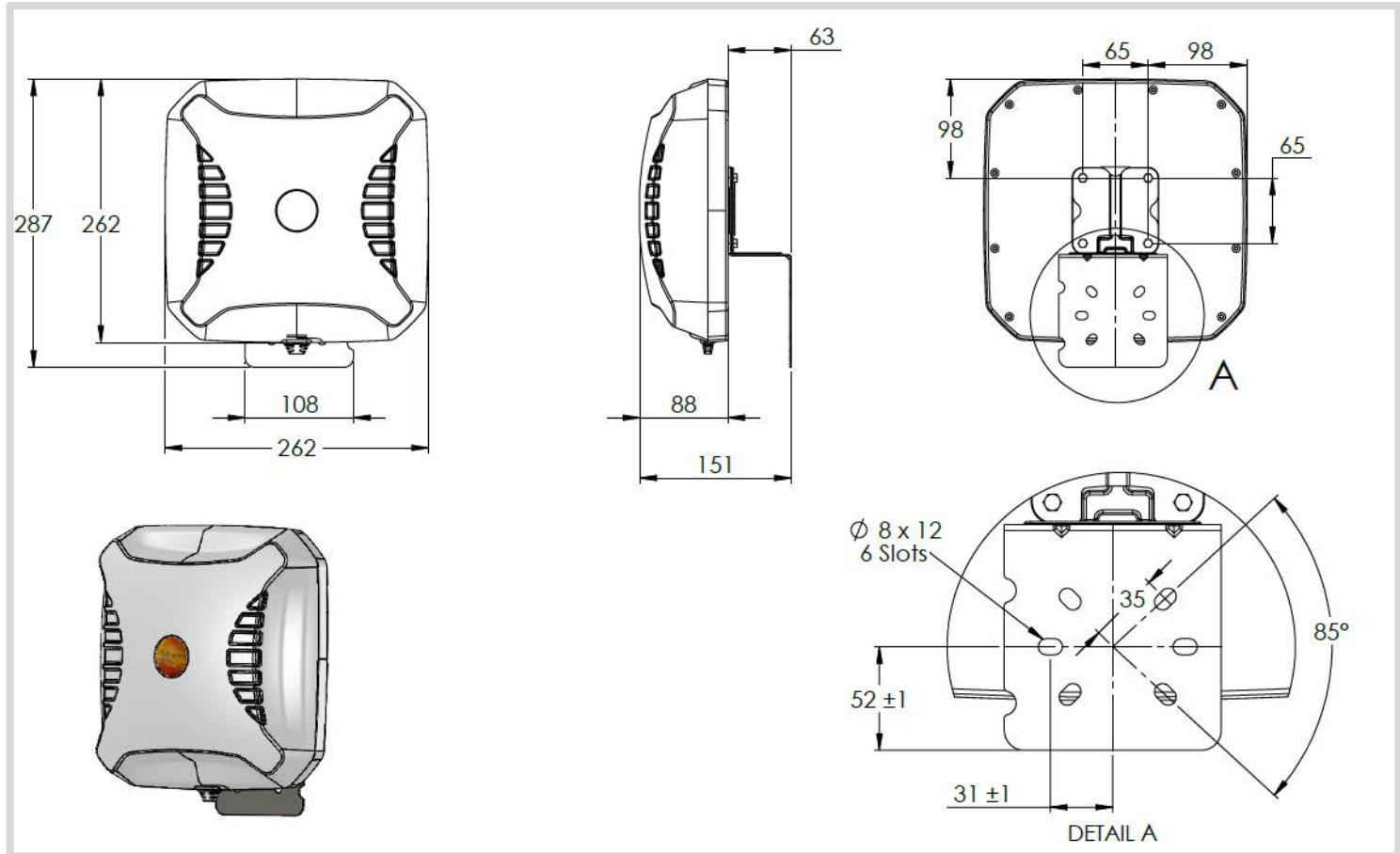
Gain* in dBi

8 dBi is the peak gain across all bands from 698 – 2700 MHz

Gain @ 698 – 960 MHz:	8 dBi
Gain @ 1710 – 2170 MHz:	6.5 dBi
Gain @ 2300 – 2700 MHz:	9 dBi

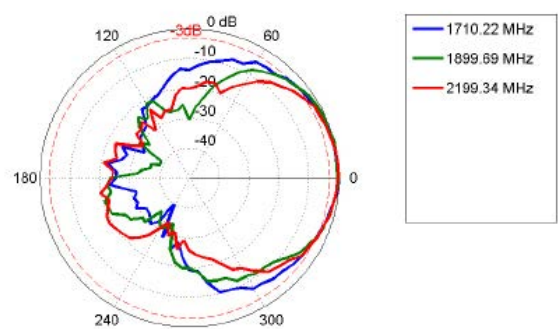
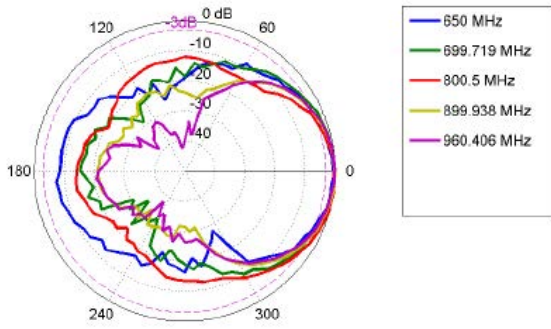
*Antenna gain measured with polarisation aligned standard antenna

Technical Drawings

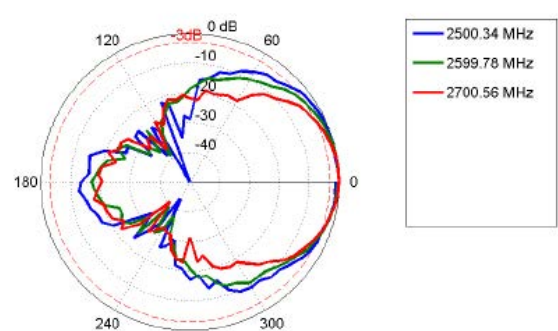
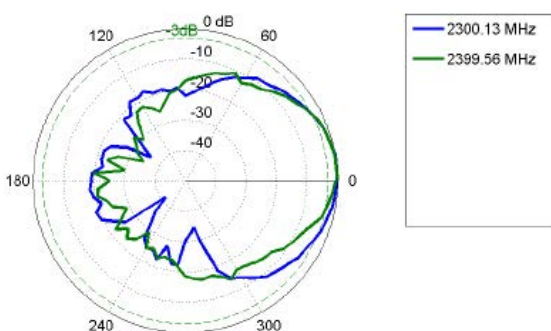


Radiation Patterns

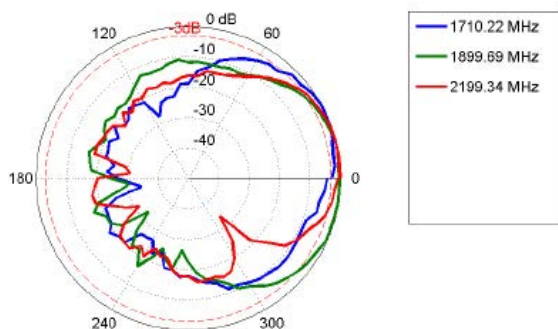
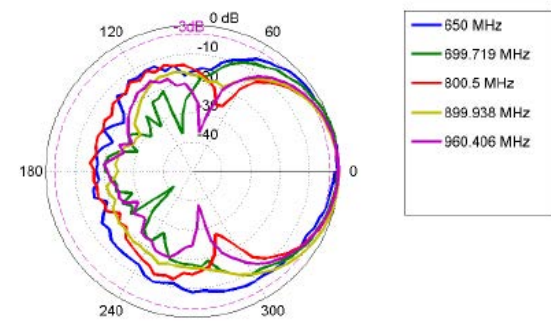
Azimuth: 698 – 960 MHz Azimuth: 1710 – 2170 MHz



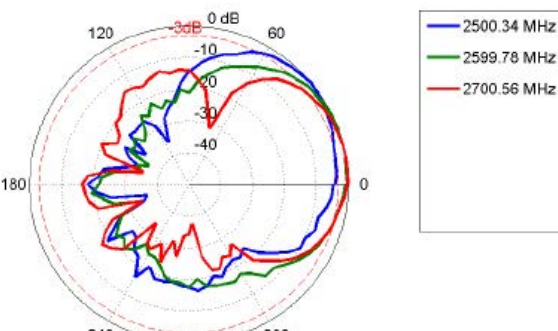
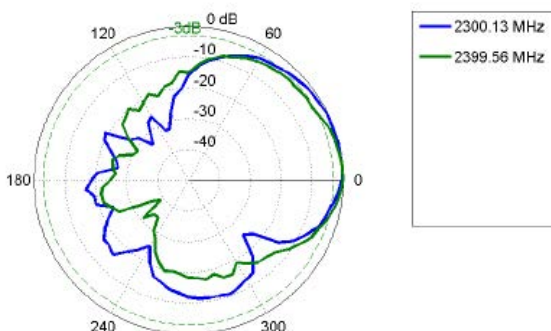
Azimuth: 2300 – 2400 MHz Azimuth: 2500 – 2700 MHz



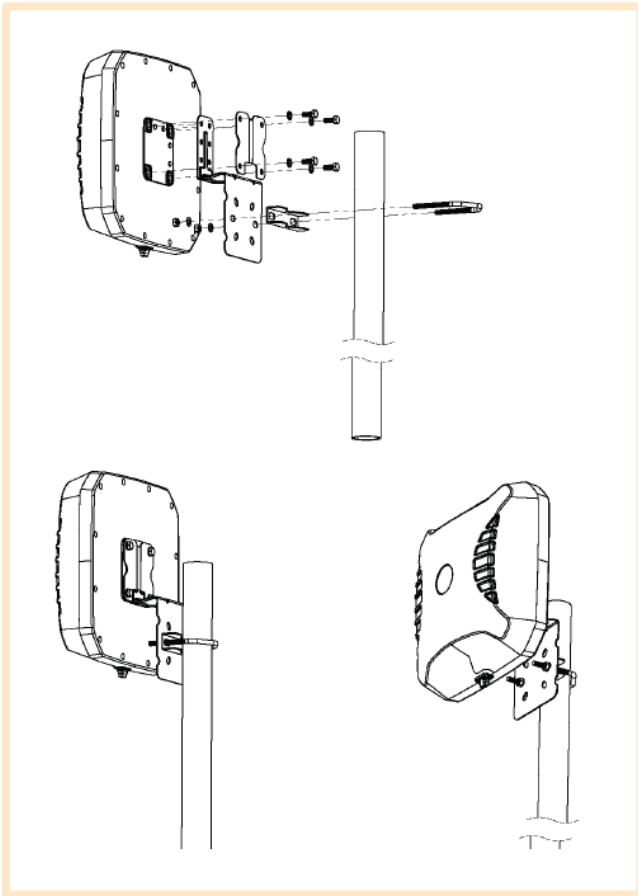
Elevation: 698 – 960 MHz Elevation: 1710 – 2170 MHz



Elevation: 2300 – 2400 MHz Elevation: 2500 – 2700 MHz

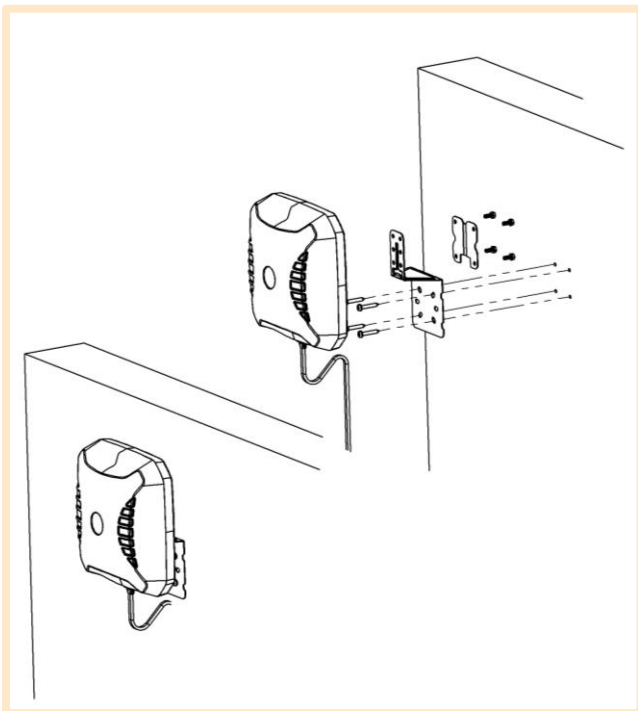


Mounting Options



Pole Mount

Pole/Wall Mounting bracket (included)



Wall Mount

Pole/Wall Mounting bracket (included)



Additional Accessories

Extension Cables: Up to 10m HDF 195

Various connectors available

Installation poles and brackets available

See accessories technical specifications on

<https://usatcorp.com/poynting/>

Contact Us

USAT | Connect What's Critical™

605 Eastowne Drive
Chapel Hill, NC 27514

Phone: (919) 942-4212

E-mail: info@usatcorp.com

Web: <https://usatcorp.com>

