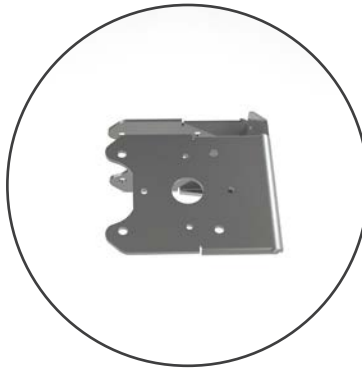


BRACKET | PY-BRKT-033

BRKT-033

±45° POLARISATION BRACKET FOR LPDA-92 AND OMNI-69



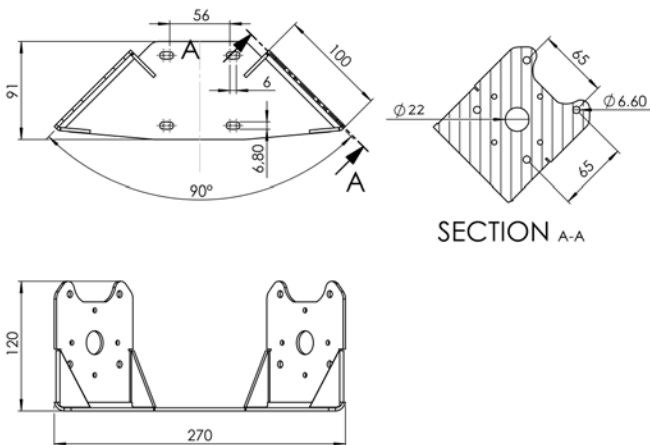
Ordering Information

Commercial name: BRKT-033
 Order Product Code: PY-BRKT-033
 EAN Number: 0707273469359

Mechanical Specifications

Product Dimensions (LxW): 270 x 120 x 91mm
 Packaged Dimensions (Polybag): 280 x 130 x 100mm
 Weight: 1.163kg
 Packaged Weight: 1.166kg
 Material: 3mm Galvanised Mild Steel
 Process: Laser cut, bend & weld
 Surface finish: Brushed

Product Drawing



Product Box Contents

Product: A-BRKT-033
 M6 Washers (SS): 16
 M6 Nuts (SS): 8
 M6 x 30 Hexagonal Bolts (SS): 8

Certification Approvals and Standards

Flammability rating: UL:1581
 Salt spray: MIL-STD810F/ASTM B117
 Product Safety: Complies with CE and RoHS standards

Contact Us

USAT | Connect What's Critical™

605 Eastowne Drive
 Chapel Hill, NC 27514

Phone: (919) 942-4212
E-mail: info@usatcorp.com
Web: https://usatcorp.com

