

BRACKET | BRKT-039

BRKT-039

HEAVY DUTY MARINE MOUNT ANTENNA BRACKET 1"-14T 316 S/S



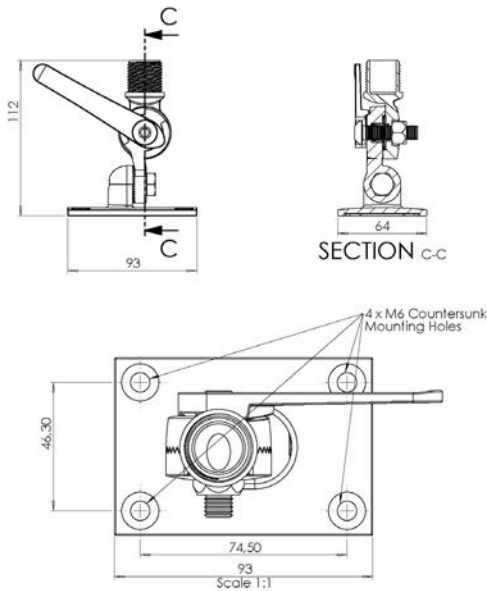
Ordering Information

Commercial name: BRKT-039
 Order Product Code: A-BRKT-039
 EAN Number: 0707273469168

Mechanical Specifications

Product Dimensions (L x W x H): 93 x 64 x 112mm
 Packaged Dimensions: 150 x 120 x 120mm
 Weight: 0.640kg
 Packaged Weight: 0.670kg
 Antenna mounting thread: Standard 1" x 14 threads
 Mounting hole: M6 Countersunk
 Material: 316 Grade stainless steel mount

Product Drawings



Product Box Contents

Product: A-BRKT-039
 Mounting: Deck or side mounting

Certification Approvals and Standards

Flammability rating: UL:1581
 IK Code: IK08
 Product Safety: Complies with CE and RoHS standards

Contact Us

USAT | Connect What's Critical™
 605 Eastowne Drive
 Chapel Hill, NC 27514

Phone: (919) 942-4214
E-mail: info@usatcorp.com
Web: https://usatcorp.com

