

BRACKET | BRKT-037-V2-01

BRKT-037-V2-01

HEAVY DUTY MARINE FLAT MOUNT ANTENNA BRACKET 1"-14T 316S/S
(WITH RUBBER SEAL)



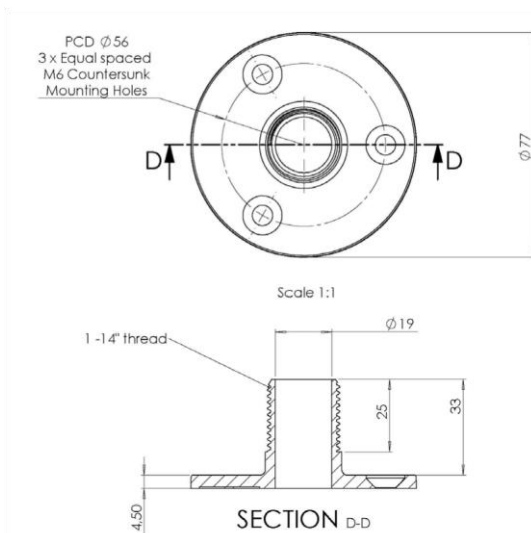
Ordering Information

Commercial name: BRKT-037-V2-01
 Order Product Code: A-BRKT-037-V2-01
 EAN Number: 6009880915743

Mechanical Specifications

Product Dimensions (Dxh): $\varnothing 77 \times 37.5\text{mm}$
 Packaged Dimensions: 150 x 120 x 120mm
 Weight: 0.267kg
 Packaged Weight: 0.297kg
 Antenna mounting thread: Standard 1" x 14 threads
 $\varnothing 56\text{mm}$ equally spaced
 Mounting hole: M6 countersunk
 Material: 316 Grade stainless steel mount

Product Drawing



Product Box Contents

Product: A-BRKT-037-V2-01
 Mounting: Deck or side mounting

Certification Approvals and Standards

Flammability rating: UL:1581
 IK Code: IK08
 Product Safety: Complies with CE and RoHS standards

Contact Us

USAT | Connect What's Critical™
 605 Eastowne Drive
 Chapel Hill, NC 27514

Phone: (919) 942-4214
 E-mail: info@usatcorp.com
 Web: <https://usatcorp.com>

