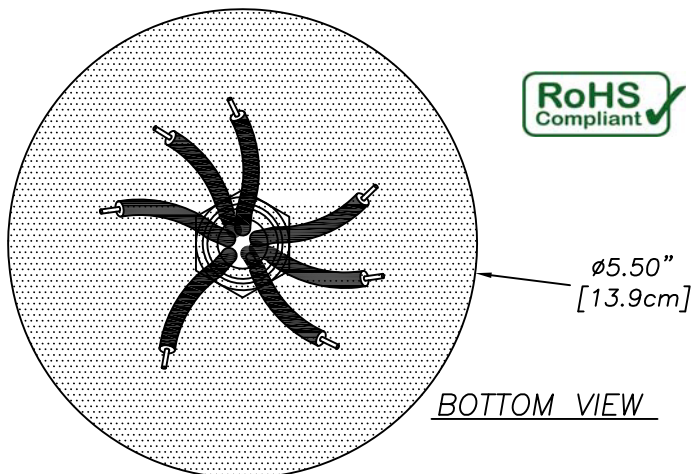
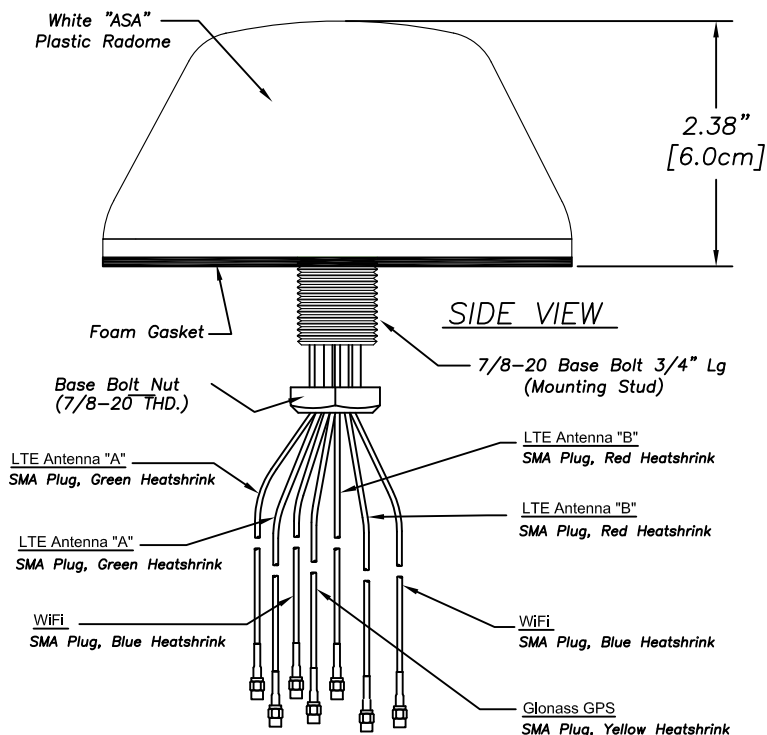


LTMG942-A3CB3CW3JG2C-WHT-180

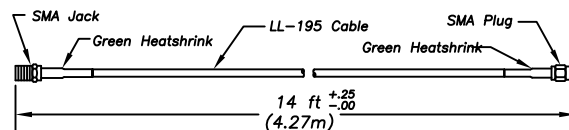
Dual Carrier Multi-Band Mimo Antenna
4 X 694-960 MHz, 1710-3700 MHz (Global LTE)
2 X 2.4-2.5GHz, 4.9-6 GHz (WiFi / Bluetooth)
with GPS / GLONASS



Jumper Cable Assemblies

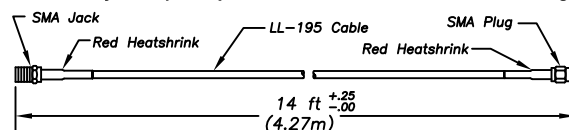
CA168/195-VC-GRN-LTE-A (LTE Antenna "A")

Cable Assembly: 14 ft (4.27m) LL-195 Cable with SMA Jack and SMA Plug



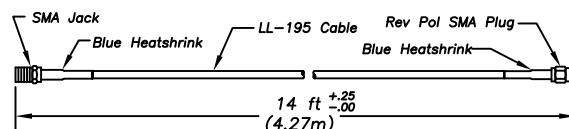
CA168/195-VC-RED-LTE-B (LTE Antenna "B")

Cable Assembly: 14 ft (4.27m) LL-195 Cable with SMA Jack and SMA Plug



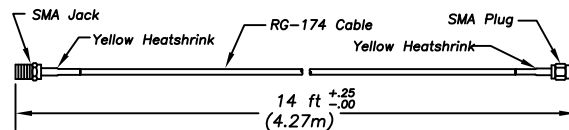
CA168/195-VJ-BLU-WIFI (WiFi)

Cable Assembly: 14 ft (4.27m) LL-195 Cable with SMA Jack and Rev Pol SMA Plug



CA168/174-VC-YLW-GNSS (Glonass GPS)

Cable Assembly: 14 ft (4.27m) RG-174 Cable with SMA Jack and SMA Plug



Antenna Specifications

**Frequency/Gain: — LTE 694-960 MHz, 2dBi Peak
 — LTE 1710-3700 MHz, 5dBi Peak
 — WiFi 2.4-2.5 GHz/4.9-6 GHz, 5dBi Peak

GPS/GLONASS Gain — 26 dB, 5 dBi Antenna
 Voltage — 3.3/5 VDC
 Current — 10mA (typ.), 20mA (max.)

**VSWR: — LTE: < 2.5:1 VSWR over range (with 12" LMR-100)
 — WiFi: < 2:1 VSWR over range (with 12" LMR-100)

Maximum Power: — 10 Watts

Connectors/Interface: — SMA Plugs through out

Case: — 5.50" (13.9cm) Dia. x 2.38" (6.0cm) High

Radome Material: — ASA UV Inhibitive Plastic

Cable: — LTE Antenna "A" — LMR-100, 1 ft. (30.5cm) (694-960/1710-3700 MHz)
 — LTE Antenna "B" — LMR-100, 1 ft. (30.5cm) (694-960/1710-3700 MHz)
 — WiFi — LMR-100, 1 ft. (30.5cm) (2.4-2.5/4.9-6.0 GHz)
 — Glonass GPS — RG-174, 1 ft. (30.5cm) (1575/1612 MHz)

Cable Assembly Jumpers: — "See Chart above"

Impedance: — 50 OHM Nominal

Water Ingress: — IP67 (when properly mounted)

Shock & Vibration: — IEEE1478, EN61373, MIL-810G, TIA 329.2-C

Mounting: — 7/8" Dia. Feed through.
 3/4" lg. thread for up to
 1/2" thick surface

Operating Temperature: — -40° to +80° C

** Gain and VSWR measured with 12" cable on 12" Ground Plane

RCP 10/15/18 A