

LTM904

PRODUCT OVERVIEW

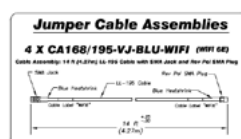
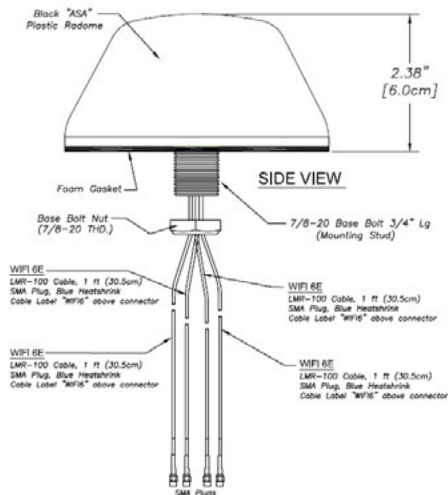
The LTM904 is a Dual-band 4-cable antenna with 4x WiFi 6E. The 4x WiFi elements provide faster through-put for advanced WiFi processors. WiFi 6E Elements can be used for 4x MIMO WiFi or for two separate WiFi 6E 2x MIMO modems.

This 4 element LTM antenna provides WiFi 6E 2.4/5/6 GHz Coverage.

Visit our eStore to customize an Antenna Online.

| Electrical Specifications | | |
|---------------------------|----------------------|--|
| Frequency & Gain | WiFi 6E Cables 1 - 4 | 2.4 - 2.5 & 4.9 - 7.2 GHz, 5 dBi |
| VSWR | WiFi | < 2:1 VSWR over range (with 12" LMR-100) |
| Impedance | 50 Ohm Nominal | |
| Power Rating | 10 Watts | |

| Mechanical Specifications | |
|--|--|
| Radome Material & Color | ASA UV-Inhibitive Plastic, Available in Black or White |
| Radome Dimension | 5.50" (13.90 cm) in diameter 2.38" (6.00 cm) in height |
| 1ft (30.50 cm) Pigtail Cables & Connectors Exiting Antenna | 4x LMR-100 with SMA Plugs (Blue) |
| Including 14ft (427 cm) Jumper Cables & Connectors | 4x LL-195 Cables with SMA Jack & Rev Pol SMA Plugs (Blue) |
| Operating Temperature | -40° to +80° C |
| Mounting | 7/8" Dia. Feed Through 3/4" lg. Thread for up to 1/2" Thick Surface |
| Shock & Vibration | IEEE1478, EN61373, MIL-810G, TIA 329.2-C |
| Water Ingress | IP 67 (When Properly Mounted) |



MULTI-BAND ANTENNA

LTM904-3J 3J 3J 3J-BLK-180

LL-195 Cables
Rev Pol SMA Plugs

Color
Cable Length (in inches)

HIGHLIGHTS:

- WiFi 6E 2.4/5/6 GHz
- 1 ft Cable Pigtails Exit Antenna; 14 ft Cable Jumpers Provided
- Made-in-the-USA & UK

RELATED MODELS:

- LTM404 (4x WiFi)
- LTM603 (6x WiFi)
- LTMWG944 (4x 5G, 4x WiFi 6E, 1x GNSS)
- NXD-W (Lower Profile 4x WiFi)

COMMON APPLICATIONS:

- WiFi Data Transfer
- Multiband Modems
- Public Transportation