

Sierra Wireless AirLink® Antenna: 3-in-1 Wi-Fi

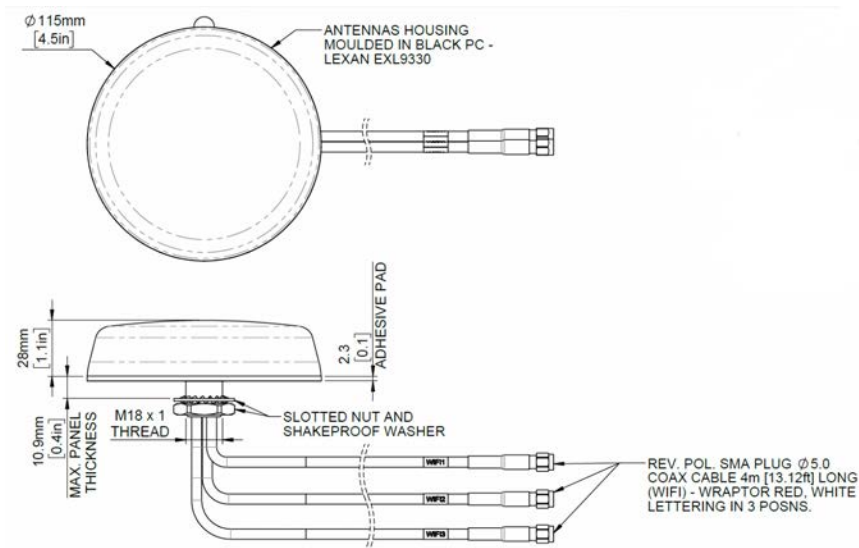
With three omni-directional dual band Wi-Fi elements in a single housing, the 3-in-1 Wi-Fi is built for internal/external use, and is tested and certified to operate with AirLink routers and gateways with Wi-Fi capability, requiring 3x3 MiMo connectivity.

Each element is isolated from the others with a separate feed and covers both the 2.4GHz and 5.0GHz bands. The 3-in-1 Wi-Fi is easy to install and comes with 4m low loss cables.

		Specification
PART NO.		6001283 (Black) / 6001284 (White)
ELECTRICAL DATA		
Frequency Range		2.3-2.7 / 4.9-6GHz
Operational Bands		2.4/5GHz Wi-Fi
Peak gain: Isotropic		4dBi (2.4GHz) / 6dBi (5GHz)
Typical VSWR		<2:1
Typical Isolation		>12dB
Pattern		Omni-directional
Polarisation		Vertical
Impedance		50Ω
Max Input Power		25W
MECHANICAL DATA		
Dimensions	Height	30mm (1.18")
	Diameter	115mm (4.52")
Operating Temp		-30° / +70°C (-22° / +158°F)
Material		ASA Plastic
Ingress Protection		IP69K
Weight		200g

Sierra Wireless
 AIRLINK® ANTENNA:
 3-IN-1 WI-FI INTERNAL

MOUNTING DATA	
Mounting Type	Bolt Mount
Mounting Hole	19mm (3/4")
CABLE DATA	
Cable Type	CS32
Length	4m/13.1ft
Termination	Reverse Polarity SMA Plug
TECHNICAL DRAWING	



About Sierra Wireless

Sierra Wireless (NASDAQ: SWIR) (TSX: SW) is the leading IoT solutions provider that combines devices, network and software to unlock value in the connected economy. Companies globally are adopting IoT to improve operational efficiency, create better customer experiences, improve their business models and create new revenue streams. Whether it is a solution to help a business securely connect edge devices to the cloud, or a software/API solution to help manage processes associated with billions of connected assets, or a platform to extract real-time data to make the best business decisions, Sierra Wireless will work with you to develop the right industry-specific solution for your next IoT endeavor. Sierra Wireless has more than 1,300 employees globally and operates R&D centers in North America, Europe and Asia.

For more information, visit www.sierrawireless.com.

Connect with Sierra Wireless on the IoT Blog at www.sierrawireless.com/iot-blog, on Twitter at [@SierraWireless](https://twitter.com/SierraWireless), on LinkedIn at www.linkedin.com/company/sierra-wireless and on YouTube at www.youtube.com/SierraWireless

Sierra Wireless, the Sierra Wireless logo, AirPrime, AirLink, AirVantage and the red wave design are trademarks of Sierra Wireless. Other registered trademarks that appear on this brochure are the property of the respective owners. © 2020 Sierra Wireless, Inc. 2020.02.26

