



The AirLink LX60 provides LTE connectivity and Wi-Fi for primary and secondary/backup retail

LX60 Product Description

The AirLink® LX60 provides LTE connectivity and Wi-Fi for primary and secondary/backup retail applications including ATMs, kiosks and POS terminals. The LX60 also supports taxis, fleets and IoT infrastructure applications in protected environments.

AIRLINK LX60 LTE

Cat 4 LTE router capable of 150 Mbps downlink and 50 Mbps uplink speeds.

AIRLINK LX60 LTE-M/NB-IOT

LPWA (Low-Power Wide Area) variant for low data rate industrial IoT applications.

Ideal Applications

Primary or backup network connectivity for:

- Retail, Digital Signage
- POS
- Taxis and Commercial Fleets
- Small branch offices
- Industrial IoT
- Building automation

Benefits

- Out-of-the box connectivity delivers same day operations
- Ensures business continuity through simplified failover
- Connect anywhere – without a need for wires or broadband
- Expand new services with global device connectivity

AirLink LX60 – Router Specifications

CELLULAR	
Peak D/L	
North America	LX60 LTE – Up to 150 Mbps, Cat-4 (WP7610)
EMEA	LX60 LTE – Up to 150 Mbps, Cat-4 (WP7607)
APAC	LX60 LTE – Up to 150 Mbps, Cat-4 (WP7609)
Global	LX60 LTE-M/NB-IoT – Cat-M1/NB1 (WP7702) Cat-M1: 300kbps Cat-NB1: 27kbps
Peak U/L	
North America	LX60 LTE – Up to 50 Mbps
EMEA	LX60 LTE – Up to 50 Mbps
APAC	LX60 LTE – Up to 50 Mbps
Global	LX60 LTE-M/NB-IoT – Cat-M1: 375kbps, Cat-NB1: 65kbps
4G LTE	
Frequency Bands	
North America	LX60 LTE – 1900(B2), AWS(B4), 850(B5), 700(B12), 700(B13), 700(B17), 1700(B66)
EMEA	LX60 LTE – 2100(B1), 1800(B3), 2600(B7), 900(B8), 800(B20), 700(B28)
APAC	LX60 LTE – 2100(B1), 1800(B3), 850(B5), 2600(B7), 900(B8), 700(B28)
Global	LX60 LTE-M/NB-IoT – 2100(B1), 1900(B2), 1800(B3), AWS(B4), 850(B5), 900(B8), 700(B12), 700(B13), 700(B17), 850 (B18), 850(B19), 800(B20), 850(B26), 700(B28)
3G WCDMA/HSPA+	
Frequency Bands	
North America	LX60 LTE – 1900(B2), AWS(B4), 850(B5)
EMEA	LX60 LTE – 2100(B1), 900(B8)
APAC	LX60 LTE – 2100(B1), 850(B5), 900(B8)
2G GSM/GPRS	
EMEA	LX60 LTE – 900, 1800
Global	LX60 LTE-M/NB-IoT – 850, 900, 1800, 1900

APPROVALS	
Regulatory	
North America	LX60 LTE – FCC, IC, PTCRB
EMEA	LX60 LTE – GCF, CE
APAC	LX60 LTE – GCF, RCM
Global	LX60 LTE-M/NB-IoT – FCC, IC, PTCRB, GCF, CE
Carrier	
North America	LX60 LTE – Verizon, AT&T, T-Mobile
APAC	LX60 LTE – Planned: Telstra
Global	LX60 LTE-M/NB-IoT – Verizon (Cat-M1), AT&T (Cat-M1)
PART NUMBERS	
North America	LX60 LTE – 1104580, 1104572 (Wi-Fi + GNSS), 1104493 (Wi-Fi + GNSS + Telemetry)
EMEA	LX60 LTE – 1104046, 1104047 (Wi-Fi + GNSS)
APAC	LX60 LTE – 1104048, 1104049 (Wi-Fi + GNSS)
Global	LX60 LTE-M/NB-IoT – 1104030
HOST INTERFACES	
2 Gigabit RJ-45 Ethernet ports RS-232 serial port (DB-9) USB 2.0 Micro-B Connector 3 SMA antenna connectors (cellular, diversity, GNSS) 1 SMA for LTE-M version 1 RP SMA antenna connector (Wi-Fi) Active GNSS antenna support Aux Port (RS-485/GPIO)	
SECURITY	
Remote Authentication (LDAP, RADIUS, TACACS+) DMZ Inbound and Outbound Port filtering Inbound and Outbound Trusted IP MAC Address Filtering PCI compatible Secure Firmware Update	

AirLink LX60 – Router Specifications

SATELLITE NAVIGATION GNSS (OPTIONAL)		SERIAL	
<p>Dedicated 48 channel GNSS Receiver supporting GPS, GLONASS, BeiDou, Galileo Tracking Sensitivity: -162 dBm Reports (Update Rate 1Hz): NMEA, TAIP Reliable Store and Forward via serial, TCP or UDP Inertial Navigation Sensors (Accelerometer and Gyro)</p>		<p>TCP/UDP PAD Mode Modbus (ASCII, RTU, Variable) PPP DNP3 Interoperability</p>	
WI-FI (Optional)		NETWORK AND ROUTING	
<p>Dual Band 2.4/5GHz Wi-Fi 802.11 b/g/n/ac (Wave2 Client Mode) Support for 10 clients, WPA2 Enterprise Output power 16dBm Access Point or Client Mode (Wi-Fi as WAN) Single SSID Support Captive Portal</p>		<p>Network Address Translation (NAT) Reliable Static Route Port Forwarding Dynamic DNS Policy Routing Verizon PNTM NEMO/DMNR IPV6 Gateway VRRP</p>	
LAN (ETHERNET/USB)		VPN	
<p>DHCP Server IP Passthrough VLAN Host Interface Watchdog PPPoE</p>		<p>IPsec, GRE, and OpenVPN Client Up to 5 concurrent tunnels Split Tunnel Dead Peer Detection (DPD)</p>	
ENVIRONMENTAL		ROUTER MANAGEMENT INTERFACES	
Temperature	<p>Operating Temperature: -30°C to +65 °C / -22°F to +149 °F Storage Temperature: -40°C to +85°C / -40°F to +185°F Humidity: 95% RH @ 60C</p>	<p>Local web user interface AT Command Line Interface (Telnet/SSH/Serial) SNMP SMS Commands</p>	
	<p>Military Spec MIL-STD-810G conformance to shock, vibration, thermal shock, and humidity IP20 rated ingress protection</p>	APPLICATION FRAMEWORK	
POWER		<p>ALEOS Application Framework (AAF) LUA Scripting Language</p>	
Input/Operating Voltage	7 to 36 VDC	EVENTS ENGINE	
Power modes	<p>Low voltage disconnect to prevent battery drain Built-in protection against voltage transients including 5 VDC engine cranking Ignition Sense with time delay shutdown</p>	<p>Custom event triggers and reports Configurable interface, no programming Event Types: Digital Input, Network Parameters, Data Usage, Timer, Power, Device Temperature and Voltage Report Types: RAP, SMS, Email, SNMP Trap, TCP (Binary, XML, CSV) Event Actions: Drive Relay Output</p>	
INPUT/OUTPUT		INDUSTRY CERTIFICATIONS	
<p>Configurable I/O (5 pins total)</p> <ul style="list-style-type: none"> 5 Digital Inputs: ON Voltage: 2.7 to 36 VDC 1 Digital Open Collector Output > sinking 300 mA 3 Analog Inputs: 0.5-5/0.5-10 VDC (range selectable) Configurable Pull-ups for dry contact input 		<p>Safety IECE Certification Bodies Scheme (CB Scheme), UL 60950</p>	
		<p>Vehicle Usage ISO7637-2, SAE J1455 (Shock, Vibration, Electrical)</p>	
		<p>Environmental RoHS2, REACH, WEEE</p>	
		<p>Hazardous Environments Class 1 Div 2 - Ambient temperatures of -30°C to +60°C</p>	
		SUPPORT AND WARRANTY	
		<p>1 year standard warranty with up to 5 years extended warranty with current AirLink Complete subscription. Unrestricted critical firmware updates.</p>	

*For carrier specific band support please refer to the hardware user guide.

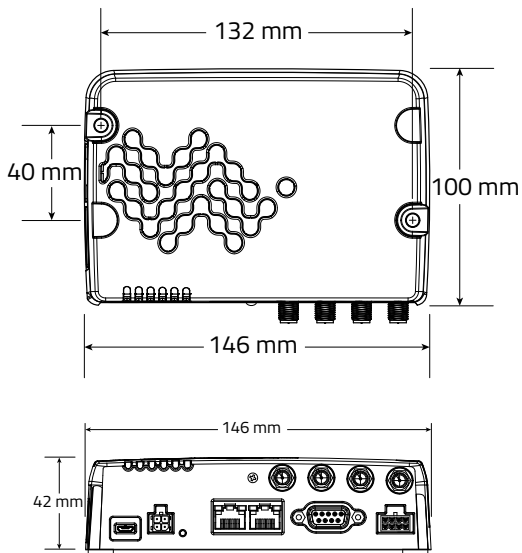
AirLink LX60 – Router Specifications

ACCESSORIES

- In the box**
- LX60, DC Power Cable and Quick Start Guide
 - Other Accessories (sold separately):
 - 2000579 AC Adapter, 12VDC
 - 6001110 Cellular Paddle Antenna
 - 6001111 Wi-Fi 2.4/5Hz Paddle Antenna
 - 6001214 DIN Rail Bracket
 - 6001231 Panel Antenna (LPWA)
- For Antenna options visit: sierrawireless.com/antennas,

DIMENSIONS

146 mm x 42 mm x 100 mm (106 mm including connectors)
 5.74 in x 1.65 in x 3.93 in (4.17 in including connectors)
 Weight: 250g



LX60 Services and Support



AIRLINK COMPLETE

Maximize your AirLink LX60 hardware investment and ensure your applications operate at peak efficiency by subscribing to our best-in-class service and support including:

- AirLink Management Service (ALMS) network management
- Optional Advanced Mobility Reporting (AMR)
- 24/7/365 Tier 1 technical support from wireless experts via phone or online access
- Extended hardware warranty – up to 5 years
- For more information on AirLink Complete visit our [web page](#)



PROFESSIONAL SERVICES

Our [Professional Services](#) experts are well-versed in the latest enterprise networking and security standards. Harvesting experience and lessons-learned over thousands of customer deployments, our best practices are expertly tailored to help you architect and deploy your cutting-edge AirLink solutions.



AIRLINK CONNECTION MANAGER

- VPN appliance built from the ground up for AirLink routers & gateways
- Simplify deployment and management of your VPN solution, extending the enterprise to the network edge for fixed and mobile endpoints
- Carrier agnostic – ACM doesn't require fixed and/or public IP
- Compatible with FIPS 140-2, and always-on VPN capability



AIRLINK ANTENNAS

- Tested and certified to provide guaranteed performance with all AirLink routers and gateways
- Accelerate deployment with always-on, end-to-end connectivity
- For more information on antennas specific to the LX60 router visit our [web page](#)

For more information contact us:



USAT | Connect What's Critical™
605 Eastowne Drive, Chapel Hill, NC 27514

Phone: (888) 550-8728
Email: info@usatcorp.com
Web: <https://usatcorp.com>

About Sierra Wireless

Sierra Wireless (NASDAQ: SWIR) (TSX: SW) is a world leading IoT solutions provider that combines devices, network services, and software to unlock value in the connected economy. Companies globally are adopting 4G, 5G, and LPWA solutions to improve operational efficiency, create better customer experiences, improve their business models, and create new revenue streams. Sierra Wireless works with its customers to develop the right industry-specific solution for their IoT deployments, whether this is an integrated solution to help connect edge devices to the cloud, a software/API service to manage processes with billions of connected assets, or a platform to extract real-time data to improve business decisions. With more than 25 years of cellular IoT experience, Sierra Wireless is the global partner customers trust to deliver their next IoT solution.

For more information, visit www.sierrawireless.com.